



Rittal – Ripac EASY



Simplicity comes up trumps

Ripac EASY

From planning with RiCAD 3D CAD data, to the ordering service, right through to assembly, absolutely everything is EASY. This saves you time and money,

and helps to make your processes leaner. With the full range of Ripac accessories, it's so EASY to upgrade your subrack to an individual system.

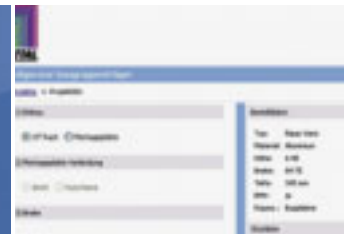


Step 1

EASY planning: With CAD data from the Internet. CAD data for Ripac EASY is available for downloading, making it easier to plan and design your individual electronic packaging project.

The benefits to you:

- Your engineering and design work is reduced
- You produce error-free, detailed Rittal data
- You obtain generic original data for every CAD system. The conversion of neutral formats is a thing of the past.



Step 2

EASY configuration and ordering: With the EASY configurator and Internet ordering service.

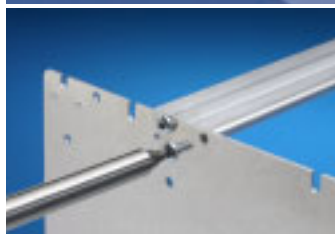


Step 4

EASY to equip: Configurable with an extensive range of Ripac accessories such as card guides, front panels, handles.

Step 3

EASY assembly in just two minutes

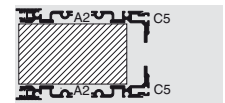
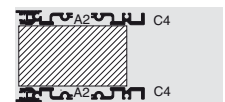
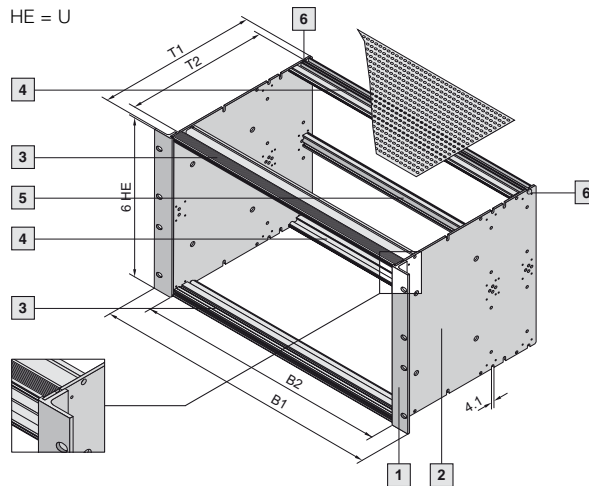


EASY and safe: Dual screw fastening of the horizontal rails ensures optimum safety, even under heavy loads.

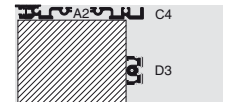
EASY assembly: The cover plates simply slide into the horizontal rails. For additional support, the cover plates may optionally be secured at the sides with clips.

EASY assembly: Subrack fully assembled in 2 minutes. This is made possible by horizontal rails with prefitted screws and tapped threads, as well as slots in the side panels.

Ripac EASY 3 U, 6 U, aluminium



Top: for backplane
Bottom: for connectors



Top: for backplane
Bottom: for connectors

Material/Surface finish:
Side panels:
2 mm aluminium, corrosion-resistant
Horizontal rails:
Extruded aluminium section, corrosion-resistant
Flanges: Pre-anodised

Supply includes:
Side panels, flanges, horizontal rails, threaded inserts, assembly screws.

Rear horizontal rails (C4, C5) including prefitted assembly screws, front horizontal rails (A2) including prefitted assembly screws and threaded inserts (A2).

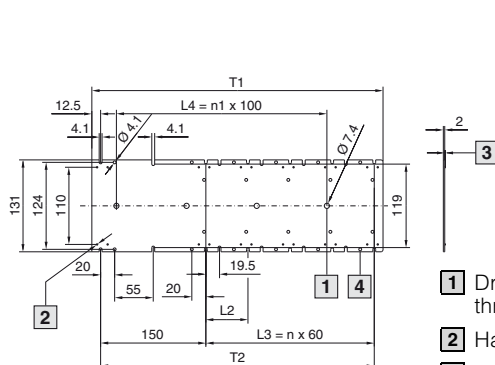
Tests:
Vibration and shock-tested to:
IEC 600-68-2-6 test Fc
IEC 600-68-2-27 test Ea

Standards:
Subracks are based on the system dimensions of IEC 60 297-3.

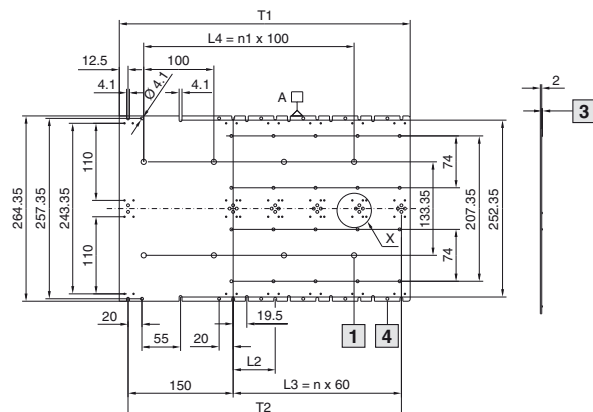
Note:
Backplanes may be fitted in direct contact with the rear horizontal rails. No additional insulating strips are required.

U (H1)					Model No. RP				EL. page
					3		6		
B1 mm	B2 HP	Side panel (T1) mm	T2 mm	Max. PCB depth mm	For backplane	For connector IEC 60 603-2	For backplane	For connector IEC 60 603-2	
482.6 (19")	84	175	160	160	3634.100	3634.150	3634.180	3634.230	139
		235	220	220	3634.110	3634.160	3634.190	3634.240	139
		295	280	280	3634.120	3634.170	3634.200	3634.250	139
		355	340	340	3634.130	–	3634.210	–	139
		415	400	400	3634.140	–	3634.220	–	139

Bill of materials		T1 mm	T2 mm	Packs of					
[2]	Side panels	175	150	2	3634.695			3634.720	149
		235	210	2	3634.700			3634.725	
		295	270	2	3634.705			3634.730	
		355	330	2	3634.710			3634.735	
		415	390	2	3634.715			3634.740	
[1]	Flanges 3 U		3634.745	2	2	2	–	–	150
	Flanges 6 U		3634.750	2	–	–	2	2	
[2]	Side panels	see above		2	2	2	2	2	–
[3]	A2 Rails front, including threaded inserts, screws		3634.600	2	2	2	2	2	151
[4]	C4/C5 Rails rear, including screws		–	2	3634.615	3634.620	3634.615	3634.620	151
[5]	D2/D3 Horizontal rails, rear, centre		–	1	–	–	3634.045	3640.085	153
[6]	Assembly screws M4 x 12 (prefitted)		3634.430	100	8	8	10	10	204



- [1] Drilled holes suitable for threaded inserts PEM-FM4-1
- [2] Half shear, Ø 2 mm
- [3] Half shear height 1 mm
- [4] Mounting holes Ø 4.1 mm for screws M4 x 12



Easy – Everything from a single source

Components



Backplanes



Cooling



AdvancedTCA



Subracks

System platforms

System enclosures

MicroTCA

Easy – direct from the manufacturers

Enquiries and information

We will be happy to send you further information or advise you in person.

Please send me the following brochure(s):

- Electronics Catalogue
- Catalogue 32
- Innovations
- High-speed backplanes

From:

Surname / first name

Company / customer no.

Department / function

Address

Telephone

E-mail

12/08 • E282

Rittal GmbH & Co. KG · Postfach 1662 · D-35726 Herborn
Telephone: +49(0)2772 505-0 · Telefax: +49(0)2772 505-2319 · eMail: info@rittal.de · www.rittal.com



Switch to perfection **RITTAL**