



# Rittal – Smart Package



Intelligent IT rack concepts for  
small and medium businesses

# IT racks for fast on-site installation

## Three complete racks – perfect for every environment

Rittal Smart Package – an intelligent concept for small and medium-sized enterprises. Racks in three variations offer everything you need for fast installation – pre-configured and ready-to-connect. The hugely popular **TS 8 rack system** is the secret of simple, versatile configuration with high packaging densities.

Choose a climate control system tailored to your specific requirements. Rittal PSM provides a redundant power supply, 2 or 3 kVA. And the permanent availability of all important parameters is monitored by Rittal CMC-TC.

## Complete IT rack solution:



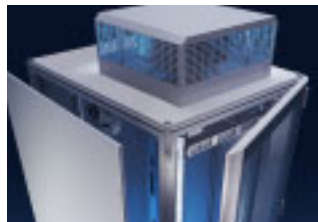
## Modules:



### Rack system

The TS 8 top enclosure offers convincing benefits as a platform:

- Exceptionally rigid welded system frame in 2 mm sheet steel
- High load capacity and verified protection up to IP 54
- Variable configuration in 25 mm increments on two mounting levels per frame member
- Comprehensive range of system accessories



### Cooling

**Simple and effective** – Vented sheet steel doors for optimum air throughput.

**Low-noise cooling for the office sector** – the roof-mounted fan is ready-wired and thus quickly installed.

**Cooling with IP 54 protection for production environments** – the rear-door cooling unit is tested, ready-to-connect and monitored via Rittal CMC-TC. An air duct system routes the cold air from the cooling unit directly to the 482.6 mm (19") level.



### Power distribution

**Intelligent power distribution system**

Rittal PSM – Anyone can use this certified busbar, which is installed ex-works and equipped with two socket modules.

**Mains and UPS voltage**

The built-in UPS has an output of 2 or 3 kVA and a separate battery pack. The autonomy can be increased by using several battery packs.



### Security

**Monitoring**

The integral CMC-TC monitoring system with its built-in sensors facilitates monitoring of the temperature, early fire detection and access detection.

# Smart Package V1

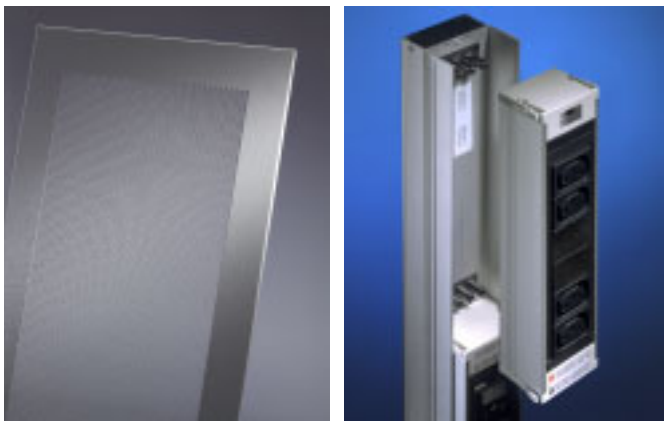
## Based on Rittal TS 8, pre-configured



### The solution for climate-controlled rooms

The perforated sheet steel doors at the front and rear provide for reliable ventilation of the rack, with 78% of the door surface area available for air throughput.

A brush strip in the plinth and the sliding panel in the base frame permits simple cable entry even with pre-assembled plug connectors.



### Power supply

The integrated PSM busbar with four PSM 6 x C13 modules is a VDE-approved power distribution system.

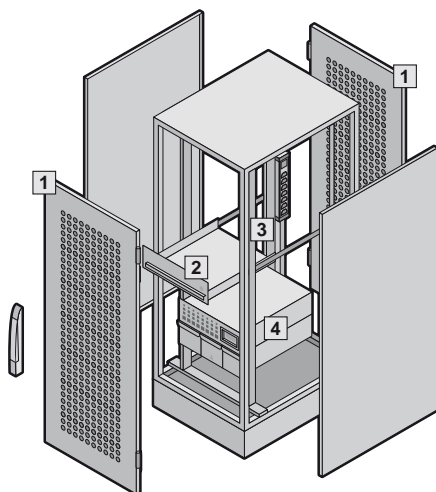
As C13 modules are used, it is not possible to transpose the phase and neutral conductors. The two infeeds to the PSM busbar permits both the mains voltage and a UPS voltage to be made available in the rack. The colour-coding of the C13 modules serves for differentiation (UPS = red).

### UPS

The built-in UPS has an output of 2 kVA and a separate battery pack. The autonomy can be increased by using several battery packs.

### Security

The integrated SNMP card permits monitoring of the UPS across the network.



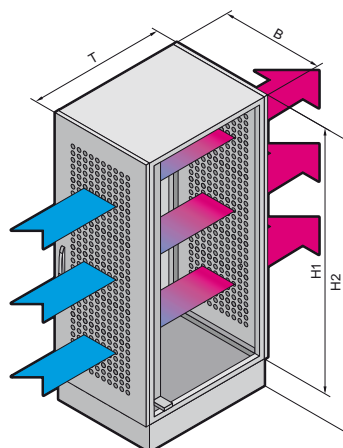
- 1 Sheet steel door, vented
- 2 2 U drawer
- 3 PSM rail
- 4 UPS, 2 kVA, with battery pack, 4 U

### Technical specifications:

- Cooling output for a 10 K temperature difference: 1.5 kW
- Nominal UPS output: 2 kVA
- UPS input voltage: 160 – 276 V AC
- Stored energy time at 50% load: 22 min.
- Infeed: 230 V AC, 3 x 16 A
- Protocols: HTTP, SNMP, Telnet, SMTP

### Benefits at a glance:

- Built-in 2 kVA UPS VFI-SS-111
- VDE-approved power distribution
- Mains and UPS voltage available on the PSM busbar



Width (B) 800 mm  
Height (H1) 2000 mm  
Overall height (H2) 2100 mm  
Depth (T) 1000 mm

# Smart Package V2

## Based on Rittal TS 8, pre-configured



### The solution for the office sector

Quiet-running roof-mounted fans with speed control achieve active rack cooling at exceptionally low noise levels. Heat losses of up to 2.0 kW can be dissipated.

A glazed front door and a sheet steel rear door, together with a vented plinth, ensure that the prescribed air routing is maintained. A brush strip in the plinth and the sliding panel in the base frame permits simple cable entry even with pre-assembled plug connectors.



### Power supply

The integrated PSM busbar with four PSM 6 x C13 modules is a VDE-approved power distribution system. As C13 modules are used, it is not possible to transpose the phase and neutral conductors.

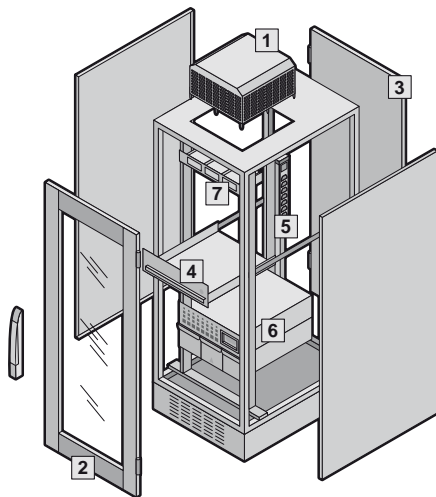
The two infeeds to the PSM busbar permits both the mains voltage and a UPS voltage to be made available in the rack. The colour-coding of the C13 modules serves for differentiation (UPS = red).

### UPS

The integrated 3 kVA UPS possesses a separate battery pack. Additional battery packs permit the stored energy time to be extended to 120 minutes (50% load). To guarantee continued cooling in case of a power failure, the roof-mounted fan is connected to the UPS.

### Security

The integrated Rittal CMC-TC permits monitoring of the installed temperature, smoke and access sensors.



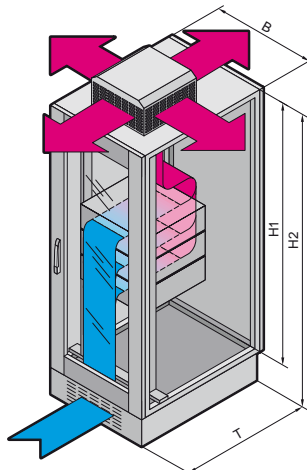
- 1 Roof-mounted fan (not pre-installed)
- 2 Glazed door
- 3 Sheet steel door
- 4 2 U drawer
- 5 PSM rail
- 6 UPS, 3 kVA, with battery pack, 4 U
- 7 CMC-TC PU II  
CMC-TC I/O unit

### Technical specifications:

- Cooling output for a 10 K temperature difference: 2.0 kW
- Nominal UPS output: 3 kVA
- UPS input voltage: 160 – 276 V AC
- Stored energy time at 50% load: 15 min.
- Infeed: 400 V AC, 3 x 16 A, CEEKON
- Monitoring: Temperature, smoke, access
- Protocols: HTTP, SNMP, SSH, Telnet, PPP, SMTP

### Benefits at a glance:

- Optimised air routing for servers and PCs
- Quiet roof-mounted fan, supplied ready-wired: Noise level 40 dB (A)
- 3 kVA UPS VFI-SS-111
- Mains and UPS voltage available on the PSM busbar
- Temperature monitoring, smoke alarm and access control



Width (B) 800 mm  
Height (H1) 2000 mm  
Overall height (H2) 2340 mm  
Depth (T) 1000 mm

## Based on Rittal TS 8, pre-configured



### The server rack to IP 54

With the cooling unit, a glazed front door, a sheet steel rear door and screw-fastened side panels, this enclosure represents a closed system and permits IT infrastructures to be installed at locations subject to high levels of contamination or high ambient temperatures. This Smart Package server rack is able to dissipate heat losses of up to 3 kW at an ambient temperature of 35°C.



### Power supply

The integrated PSM busbar with PSM 6 x C13 modules is a VDE-approved power distribution system. As C13 modules are used, it is not possible to transpose the phase and neutral conductors.

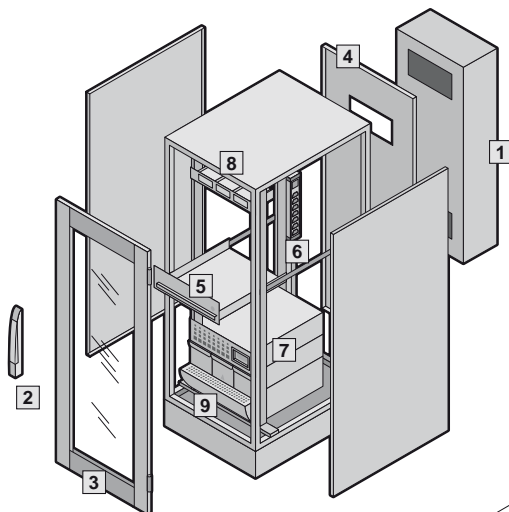
The two infeeds to the PSM busbar permits both the mains voltage and a UPS voltage to be made available in the rack. The colour-coding of the C13 modules serves for differentiation (UPS = red).

### UPS

The integrated 3 kVA UPS possesses a separate battery pack. Additional battery packs permit the stored energy time to be extended to 120 minutes (50% load).

### Security

The integrated Rittal CMC-TC components permit monitoring of the installed sensors for the cooling unit, enclosure temperature, smoke and access control.



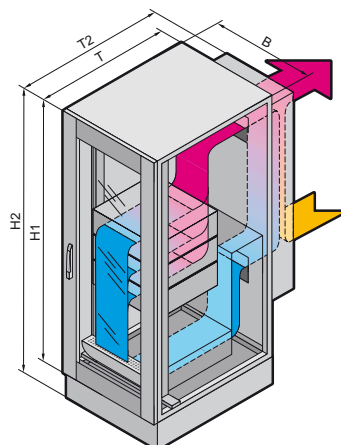
- 1 Cooling unit
- 2 Comfort handle
- 3 Glazed door
- 4 Sheet steel door
- 5 2 U drawer
- 6 PSM rail
- 7 UPS, 3 kVA, with battery pack, 4 U
- 8 CMC-TC PU II  
CMC-TC I/O unit
- 9 Air routing tunnel

### Technical specifications:

- Cooling output at 35°C ambient temperature: 3 kW
- Nominal UPS output: 3 kVA
- UPS input voltage: 160 – 276 V AC
- Stored energy time at 50% load: 15 min.
- Infeed: 400 V AC, 3 x 32 A, CEEKON
- Monitoring: Temperature, smoke, access
- Protocols: HTTP, SNMP, SSH, Telnet, PPP, SMTP

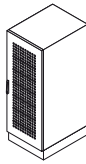
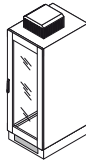
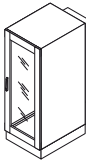
### Benefits at a glance:

- Optimised air routing for servers and PCs
- IP 54
- 3 kVA UPS VFI-SS-111
- Mains and UPS voltage available on the PSM busbar
- Temperature monitoring, smoke alarm and access control



Width (B) 800 mm  
Height (H) 2000 mm  
Overall height (H2) 2100 mm  
Depth (T) 1000 mm  
Overall depth (T2) 1350 mm

# Smart Package – Concept overview

	V1	V2	V3
			
<b>Model No. DK</b>	<b>7337.100</b>	<b>7337.200</b>	<b>7337.300</b>
<b>Available U</b>	36	35	33
<b>Width mm</b>	800	800	800
<b>Height mm</b>	2100	2340	2100
<b>Depth mm</b>	1000	1000	1350
<b>Supply includes</b>			
<b>Doors</b>			
Sheet steel door, vented with comfort handle, front	■	-	-
Glazed door with comfort handle, front	-	■	■
Sheet steel door, vented, with swivel handle, rear	■	-	-
Sheet steel door with swivel handle, rear	-	■	■
<b>Side panels</b>			
Side panel, plug-in, IP 20	■	■	-
Lock for side panel, plug-in	■	■	-
Side panel, screw-fastened, IP 54	-	-	■
<b>Roof</b>			
Roof plate, solid	■	-	■
Roof plate, vented	-	■	-
<b>Base</b>			
Base/plinth, solid with rubber cable clamp strip for cable entry at the rear	■	-	■
Base/plinth, vented with brush strip for cable entry at the rear	-	■	-
Gland plate, multi-piece	■	-	■
Gland plate, one-piece, vented, for TS	-	■	-
Filter mat for gland plate, one-piece	-	■	-
<b>Interior installation</b>			
482.6 mm (19") level, front and rear	■	■	■
Drawer, 2 U	■	■	■
<b>Power</b>			
PSM rail, installation height 2000 mm, including mounting kit for a maximum of 7 standard modules	■	■	■
Plug-in module 6 x C13 (IEC 320 appliances, black)	2	2	2
Plug-in module 6 x C13 (IEC 320 appliances, red)	2	2	2
<b>Cooling</b>			
Roof-mounted fan (low-noise, speed-controlled) , supplied ready-wired	-	■	-
Cooling unit with adjusted airflow	-	-	■
<b>UPS</b>			
Double conversion UPS, classification: VFI-SS-111	■	■	■
2 kVA including battery pack and SNMP card, 2 U + 2 U	■	-	-
3 kVA including battery pack and SNMP card, 2 U + 2 U	-	■	■
<b>Security/monitoring</b>			
CMC-TC PU II including power pack and mounting kit (1 U)	-	■	■
Programming cable	-	■	■
CMC-TC I/O unit	-	■	■
Temperature sensor, smoke alarm and access sensor	-	■	■
Digital sensor input module (cooling unit monitoring)	-	-	■
Cable kit/mounting kit	-	■	■
<b>Standard accessories, supplied loose</b>			
Connection cable (3-phase)	16 A	16 A	32 A
IEC 320 appliances extension 0.5 m and 1 m, each	5	5	5
C13 lock (IEC 320 appliances lock)	20	20	20
Nylon loop cable tie	20	20	20
RCCMD licence (server shutdown software)	1	1	1

■ Included with the supply.

Further information on accessory components may be found in Catalogue 31, from page 832.



### Monitor/keyboard unit, 1 U with 15" and 17" TFT display

- Secure, space-saving server administration.
- Can be combined with the Rittal KVM switches SSC view 8 and SSC view 32 Cat.
- The minimal depth of 490 mm (680 mm for the 17" TFT display, each without SSC expansion) makes the unit suitable for installation in enclosures with depths 800 – 1000 mm.
- Complete monitor/keyboard unit including assembly parts and all necessary connection cables (approx. 1.6 m).

		Model No.	
Touchpad	German	<b>9050.100</b>	<b>9050.300</b>
Touchpad	English	<b>9050.102</b>	<b>9050.302</b>
Version		15"	17"
Colour		RAL 7035/RAL 9006	
TFT display		15" (381 mm)	17" (432 mm)
Max. resolution		1024 x 768	1280 x 1024
Sound		2 active mini-speakers	
Mains voltage		100 – 240 V AC, 50 – 60 Hz	
Video input		analog (D-SUB 15-pole, jack)	
		digital (DVI-D, jack)	
Audio		3.5 mm, stereo	



### SSC compact 8

#### Economy 8-port KVM switch

- Ultra-compact KVM switch for 482.6 mm (19") installation
- Can be used in stand-alone mode without monitor/keyboard unit
- Space-saving server administration in IT racks
- Password-protected OSD menu for server selection
- Server selection also via hotkeys
- Processor-controlled keyboard and mouse emulation for each channel ensures correct booting and reliable switching

Model No. DK	7552.010
Number of computers in stand-alone mode	8
Autoscan/autoskip	■
Max. video resolution	1280 x 1024@85 Hz
Power supply 100 – 240 V, 50/60 Hz (internal power pack)	■
Colour	RAL 7035
Dimensions (excluding protruding parts) approx. W x H x D mm	448 x 44 x 150



### Active PSM 8-way, individually switchable

- Plug-in module for the PSM busbar system with 8 x IEC320 C13 sockets
- Each of the 8 sockets can be switched individually (via the CMC-TC system)
- Double length of a standard PSM module
- No power pack required, supply via CMC-TC

Version	Model No. DK
8-way	<b>7856.201</b>

- Available functions: Current measuring, circuit fuse; across the network via CMC-TC: individual switching of the 8 sockets (also with time delays), current limit monitoring, module status display
- Aluminium chassis with plastic cover



### PSM light module

#### for use as a portable lamp

- Compatible with all PSM busbars
- With high-performance NiMH rechargeable battery
- Magnetic mounting on metal surfaces in the rack
- Power-saving LED lamps
- Illumination up to 4 hrs
- Recharging in a socket of the PSM busbar

Version	Model No. DK
PSM light module	<b>7856.210</b>

**Note:**  
Please observe the connection voltage (230 V) of the busbar.

Optional accessories, not pre-installed	Packs of	Model No. DK
SSC view 8 (KVM switch in conjunction with monitor/keyboard unit), for technical data see SSC compact 8	1	<b>7552.000</b>
CPU cable 2 m (server connection cable for Rittal SSC KVM switch)	1	<b>7552.120</b>
CPU cable 4 m (server connection cable for Rittal SSC KVM switch)	1	<b>7552.140</b>
Depth-variable slide rails, 1 U, length 590 – 930 mm	2	<b>7063.884</b>
Component shelf 1/2 U, depth-variable	1	<b>7063.720</b>
Component shelf, heavy duty, depth 500 mm	1	<b>7063.895</b>
Installation kit, depth-variable, for component shelf, heavy duty	1	<b>7063.890</b>
Telescopic slides for component shelf, heavy duty	1	<b>7065.000</b>
Component shelf, static installation for 482.6 mm (19") level (depth 250 mm)	1	<b>7119.250</b>
Component shelf, static installation for 482.6 mm (19") level (depth 400 mm)	1	<b>7119.400</b>
Shunting rings 300 x 90 mm	4	<b>7220.600</b>
Light 1 U (for 482.6 mm (19") installation)	1	<b>7109.200</b>
PSM plug-in module IEC 60 320 4 x C19 (max. 16 A)	1	<b>7856.230</b>
Additional RCCMD licence (for server shutdown)	1	<b>7857.421</b>
Battery pack for 2 or 3 kVA UPS	1	<b>7857.408</b>

Further information on accessories may be found in Catalogue 31, from page 832.

# Enquiry

Fax hotline +49(0)2772 505-2977

Qty.	Designation	Packs of	Model No. DK
	<b>Smart Package V1</b>		<b>7337.100</b>
	<b>Smart Package V2</b>		<b>7337.200</b>
	<b>Smart Package V3</b>		<b>7337.300</b>
<b>Optional accessories, not pre-installed</b>			
	Monitor/keyboard unit, 15" TFT with touchpad (German) <sup>1)</sup>	1	9050.100
	Monitor/keyboard unit, 15" TFT with touchpad (English) <sup>1)</sup>	1	9050.102
	Monitor/keyboard unit, 17" TFT with touchpad (German) <sup>1)</sup>	1	9050.300
	Monitor/keyboard unit, 17" TFT with touchpad (English) <sup>1)</sup>	1	9050.302
	SSC view 8 (KVM switch in conjunction with monitor/keyboard unit)	1	7552.000
	SSC Compact 8 (KVM switch for stand-alone use)	1	7552.010
	CPU cable 2 m (server connection cable for Rittal SSC KVM switch)	1	7552.120
	CPU cable 4 m (server connection cable for Rittal SSC KVM switch)	1	7552.140
	Depth-variable slide rails, 1 U, length 590 – 930 mm	2	7063.884
	Component shelf 1/2 U, depth-variable	1	7063.720
	Component shelf, heavy duty, depth 500 mm	1	7063.895
	Installation kit, depth-variable, for component shelf, heavy duty	1	7063.890
	Telescopic slides for component shelf, heavy duty	1	7065.000
	Component shelf, static installation for 19" level (depth 250 mm)	1	7119.250
	Component shelf, static installation for 19" level (depth 400 mm)	1	7119.400
	Shunting rings 300 x 90 mm	4	7220.600
	Light 1 U (for 482.6 mm (19") installation, D/NL/A with earthing-pin plug)	1	7109.200
	PSM module for D/NL/A (4 x earthing-pin sockets, max. 16 A)	1	7856.100
	PSM module for F/B (France, Belgium with 4 x CEE 7-V UTE)	1	7856.120
	PSM module for CH (Switzerland, 4 sockets, max. 10 A)	1	7856.190
	PSM plug-in module IEC 60 320 4 x C19 (max. 16 A)	1	7856.230
	PSM light module (chargeable hand-held light for PSM busbar)	1	7856.210
	Active PSM 8-way module, individually switched socket strip, 8 x C13 (occupies 2 connection positions on the PSM busbar)	1	7856.201
	PSM overvoltage protection, with adaptor connector	1	7856.170
	Additional RCCMD licence (for server shutdown)	1	7857.421
	Additional battery pack for 2 or 3 kVA UPS	1	7857.408

<sup>1)</sup> Further language versions available on request.  
Further information is to be found in Rittal Catalogue 31.

Please

- send us a quotation
- call/visit us regarding further information
- send us a copy of Rittal Catalogue 31

From:

\_\_\_\_\_

Name

\_\_\_\_\_

Company

\_\_\_\_\_

Address

\_\_\_\_\_

Tel./fax

\_\_\_\_\_

eMail

\_\_\_\_\_

Date/signature

10/06 · E560

Rittal GmbH & Co. KG · Postfach 1662 · D-35726 Herborn  
Telephone: +49(0)2772 505-0 · Telefax: +49(0)2772 505-2319 · eMail: info@rittal.de · www.rittal.com



Switch to perfection **RITTAL**