



Rittal – One-piece consoles



**Compatible
with TS 8 accessories**

Now also in top form with
infinite possibilities

Excellent inner values



The new one-piece console TP boasts exceptional qualities in terms of its modular interior installation, assembly-friendliness and system accessories. It integrates perfectly into the **system platform TS 8**,

while the **extensive, assembly-friendly range of TS 8 system accessories** offers infinite installation opportunities. The benefit to you: Reduced stock levels and transport costs translate into savings.



Top design with functionality:

The designer handle strip sits firmly in the hand, and ingeniously hides the lock of the hinged lid. The design is harmoniously coordinated with the entire human/machine interface range.

Simple single-handed operation:

The self-latching stay holds the desk unit lid open at the individually desired angle, with automatic latching and unlatching.

User-friendly security:

Whereas two to three locks were previously needed (depending on the width), the single lock now uses locking bars to achieve the double locking capability.

Simple assembly:

The populated mounting plate is inserted at the bottom, and simply secured at the top with clips, leaving both hands free for screw fastening. This installation and locking technique saves time and money.



Individual interior configuration:

The numerous components from the Rittal modular system produce a host of individual solutions which you are sure to find worthwhile.

Practical diversity:

Perforated system strips fitted to doors and covers for TS-compatible installation, such as mounting rails or wiring plan pockets.

Exemplary cable routing:

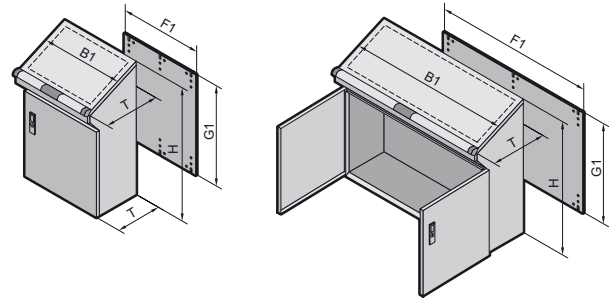
The TopConsole system also stands for more cable entry combinations, thanks to individual gland plates from the existing modular TP/CM system.

Ergoform:

The unlocked handle folds down forwards, and the lock is opened by swivelling.

One-piece consoles TP

Sheet steel



Material:

Sheet steel
Enclosure: 1.5 mm
Door and console lid: 2.0 mm
Mounting plate: 3.0 mm
Design handle strip: Aluminium
Corner protectors and lock cover: Plastic, self-extinguishing

Surface finish:

Enclosure, cover and door: Dipcoat primed, powder-coated in textured RAL 7035 on the outside
Mounting plate: zinc-plated
Designer handle strip: Natural anodised
Corner protectors and lock cover: RAL 7015

Protection category:

IP 55 to EN 60 529, complies with NEMA 12

Supply includes:

Enclosure, solid rear and sides, door or double door at the front, with locking rod, console lid hinged at rear, 2 stays with automatic latching and unlatching, base open for individual cable entry.



Also required:

Gland plates, see Cat. 32, pages 911 – 912.



Rittal service:

Other sizes, cut-outs and holes available on request.

Available from October 2008.

Detailed drawing, see www.rittal.com

Width (B1) mm	Packs of	600	800	1000	1200	Cat 32, page
Height (H) mm		960	960	960	960	
Depth (T) mm		400/520	400/520	400/520	400/520	
Mounting plate width (F1) mm		499	699	899	1099	
Mounting plate height (G1) mm		900	900	900	900	
Model No. TP		6746.500	6748.500	6740.500	6742.500	
Door(s)		1	1	2	2	

Base/plinth							
Components front and rear	Height 100 mm	1 set	8601.600	8601.800	8601.000	8601.200	893
	Height 200 mm	1 set	8602.600	8602.800	8602.000	8602.200	893
Trim panels (sides)	Height 100 mm	1 set	8601.040	8601.040	8601.040	8601.040	893
	Height 200 mm	1 set	8602.040	8602.040	8602.040	8602.040	893
Cross-member, adjustable		2	8601.450	8601.450	8601.450	8601.450	903

Accessories							
Rail for interior installation	For height	4	5001.051	5001.051	5001.051	5001.051	992
	For lid	4	5001.056	5001.057	5001.058	5001.059	-
Punched section with mounting flange 17 x 73 mm	For lid	4	8612.040	8612.040	8612.040	8612.040	993
	For enclosure	4	8612.140	8612.140	8612.140	8612.140	993
	For door	4	8612.050	-	8612.040	8612.050	993
Punched rail 18 x 38 mm	For enclosure	4	8612.240	8612.240	8612.240	8612.240	996
	For lid	20	4309.000	4309.000	4309.000	4309.000	997
Mounting bars	For enclosure	20	4694.000	4694.000	4694.000	4694.000	997
	For door	20	4596.000	4598.000	4309.000	4596.000	997
Cable clamp rail		1	5001.080	5001.081	5001.082	5001.083	1062
Wiring plan pocket		1	4116.500	4118.500	4115.500	4116.500	967

Lock systems

Console lid: Standard double-bit lock insert, may be exchanged for 27 mm lock inserts, type A, see Cat. 32, page 956, and for Ergoform-S lock system, see Cat. 32, page 953.



Cable clamp rails

For strain relief with cable entry. The length of the cable clamp rail is tailored to the width of the mounting plate.
Model No. see Cat. 32, page 1062.



180° hinges

For retrospective conversion of standard doors with 130° hinges, including assembly parts, see Cat. 32, page 963.



Gland plate

for CM, TP

Select suitable gland plates depending on the application. The following examples illustrate the individuality of cable entry design. Potential equalisation is provided via assembly components and earthing points.

Material:

Sheet steel, zinc-plated, passivated

Protection category:

IP 55 to EN 60 529, subject to correct mounting.

Supply includes:

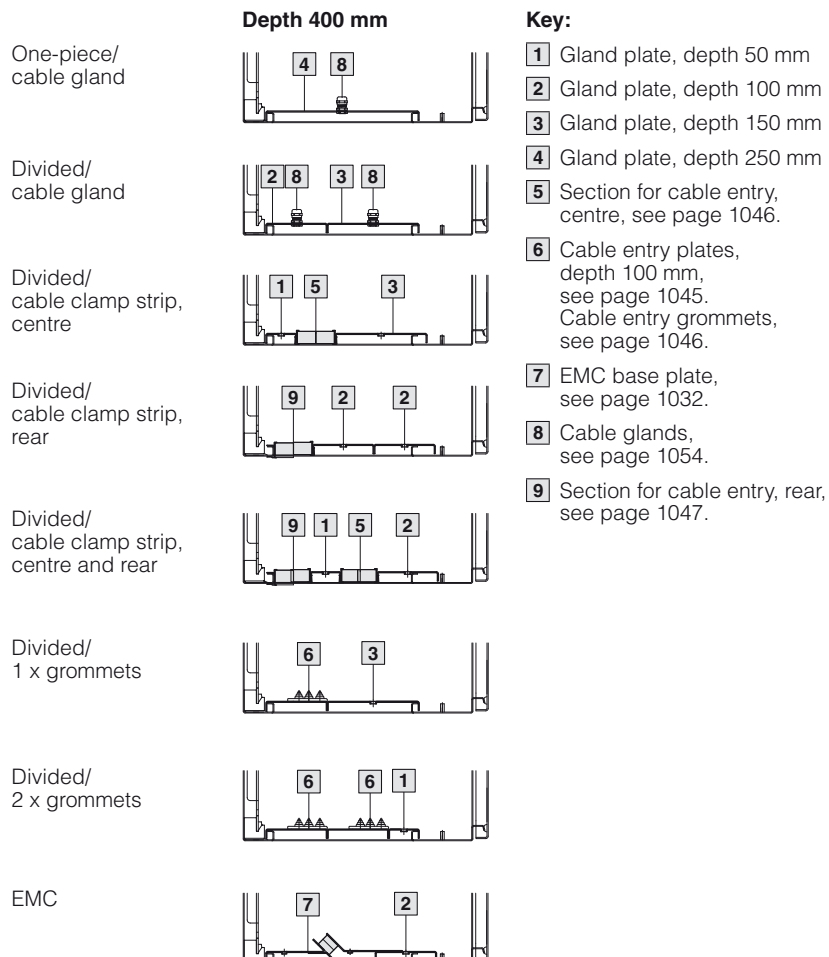
Assembly parts.

Note:

For greater stability and universal cable entry, the base opening is divided in the width for 1000 and 1200 mm wide enclosures, and is suitable for various configurations.

Design	For console width mm			
	600	800	1000	1200
	Model No. CM			
1	5001.210	5001.211	5001.212	5001.213
2	5001.214	5001.215	5001.216	5001.217
3	5001.218	5001.219	5001.220	5001.221
4	5001.222	5001.223	5001.224	5001.225

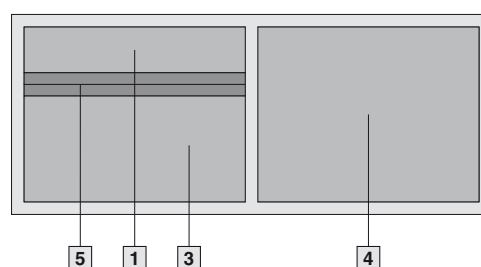
Combination options:



Order example:

TP 6740.500
(W/H/D 1000 x 960 x 400 mm)

- On left, gland plates divided into two with cable clamp strip
- On right, one-piece gland plate



You will need:

- 5 2 sections for cable entry, centre, TS 8802.100, see page 1046. (packs of 2 sets)
- 1 1 gland plate, depth 50 mm, 5001.212
- 3 1 gland plate, depth 150 mm, 5001.220
- 4 1 gland plate, depth 250 mm, 5001.224

All in all – solutions from Rittal

Rittal has one of the largest ranges of enclosures available for immediate delivery. However, Rittal also supplies integrated solutions – up to Level 4. This comprises mechanical installation, power supply, electronic components, climate control and central monitoring. For all of your requirements. Fully assembled and functional.

Wherever in the world you develop and implement solutions for yourself and your customers, we are close at hand. The global alliance between production, distribution and service guarantees closeness to the customer. Worldwide!



Queries and information

We will be happy to send you further information or advise you in person.

Please send me the following brochure(s):

- Innovations 2008
- Catalogue 32

From:

Surname / first name

Company / customer no.

Department / function

Address

Telephone

E-mail

08/08 • E182

Rittal GmbH & Co. KG · Postfach 1662 · D-35726 Herborn
Telephone: +49(0)2772 505-0 · Telefax: +49(0)2772 505-2319 · eMail: info@rittal.de · www.rittal.com



Switch to perfection **RITTAL**